

# Basket/Planter Booster Install Instructions

1. Start by connecting the reducer to a faucet having a **clean** water supply. **Note:** If a **clean** water supply is not available you will need to purchase an in-line water filter from a local building supply centre. Once connected, simply push the tubing over the barbed tube of the reducer (See Fig 1).
2. For only one basket/planter, run the tubing to the container location, neatly supporting the tubing under the siding joints, corner trim and soffit trim. On wood surfaces, use a wire stapler. The tubing may also be buried in the ground. **Caution** - Be careful not to pinch or damage the tubing when stapling or running it around corners and sharp edges.
3. At the container location, run the tubing through the watering valve as shown. It will require considerable force to get the tubing into place (See Fig 1). For a basket, hang the valve from a support hook and then hang the basket from the valve. Allow enough tubing to hang down to within about 10 inches of the soil (See Fig 3). Then place the available optional weight and connector on the end of the tubing as shown. For a **planter box or pot**, place the valve under the container as shown. Allow enough tubing to go down about one inch into the soil in the centre of the container (See Fig 4).
4. For best results, thoroughly hand water the container to the desired moisture content.
5. Release all the tension on the control valve spring by turning the wing nut counter clockwise.
6. Bleed the air from the system by removing the tubing from the valve farthest from the faucet, then turn on the water and wait for the water to run freely from the tubing. If no water flows, refer to **Caution** in step #3.
7. Turn the water off and replace the tubing through the valve.
8. Turn on the water faucet.
9. Now **slowly** turn the wing nut on each valve clockwise until water just begins to drip into the container. Then turn the wing nut back  $\frac{1}{4}$  turn. **Note:** turning the wing nut clockwise increases the flow. Turning the wing nut counter clockwise decreases the flow.
10. Monitor each container over the next day or two, adjusting the wing nut until the desired moisture level is achieved. The container will now maintain this moisture level for weeks.
11. If more than one container is being watered, with a pair of scissors, cut the tube where you wish to tee off and insert the tee by simply pushing the tubing over the barbed ends of the tee. (See Fig 2). Repeat this process for each container. The 1/8 supply tubing will water for up to 40 containers.
12. **Winterizing** - Disconnect the 3/4 x 1/8 reducer from the hose faucet. Also if a hose Y connector has been used, remove it too. No further winterizing is necessary.

Figure 1: Single Valve Setup

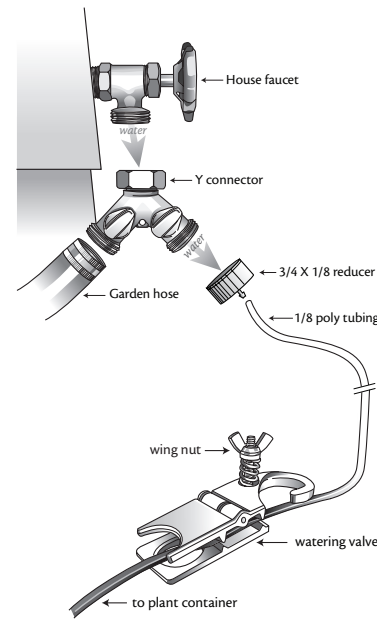


Figure 2: Multiple Valve Setup

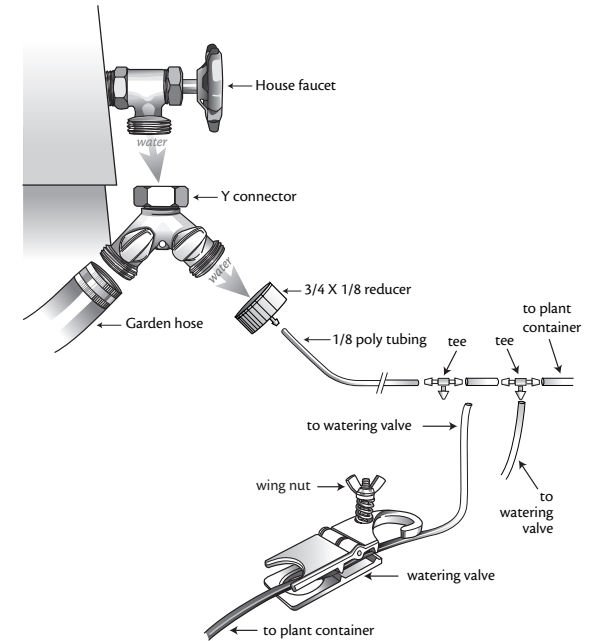


Figure 3: Single Valve Setup - Basket

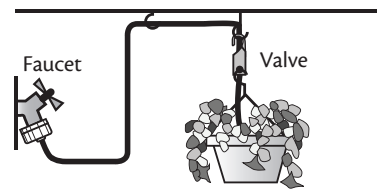


Figure 4: Single Valve Setup - Patio Planter

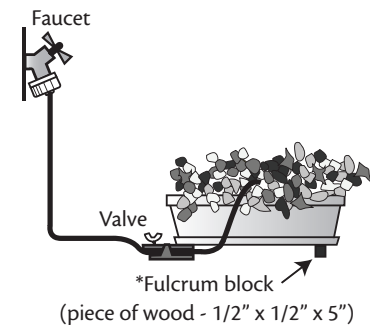
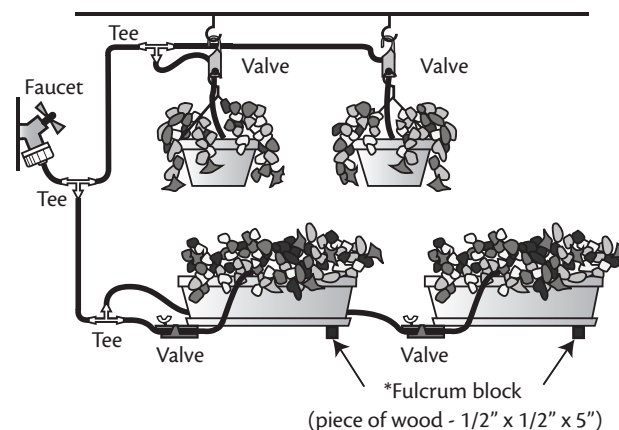


Figure 5: Multiple Setup



**\*Fulcrum block:**  
Move block toward valve for heavy planter boxes.  
Move block away from valve for lighter planter boxes.